



**Broadcast Devices, Inc.**

***SWP Series TX Interface Kit***

**Operations Quick Start Guide**

**Broadcast Devices, Inc.**

**Tel. (914) 737-5032**

**Fax. (914) 736-6916**

**World Wide Web: [www.Broadcast-Devices.com](http://www.Broadcast-Devices.com)**

**Rev C. 4/22**

## Table of Contents

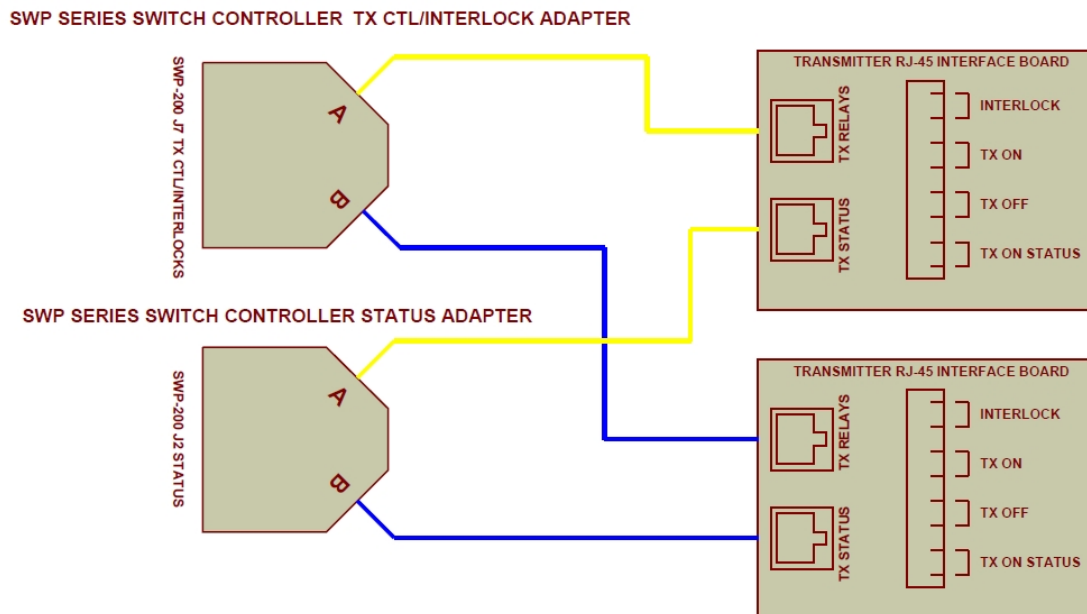
I.	Basic Description	3
II.	Installation Instructions - Schematic	3
III.	Schematics/Diagrams	4-5
IV.	Warranty	6

## I. Basic Description

The TX Interface Kit is designed to provide a simple means of connecting the BDI SWP series RF switch controllers/remote controls to two transmitters. Two DSUB to RJ45 adapters are provided to connect to the rear panel of the SWP series controllers and a two transmitter interface boards are provided for installation inside two transmitters to provide simple barrier terminal connections to the transmitter remote control.

## II. Installation Instructions

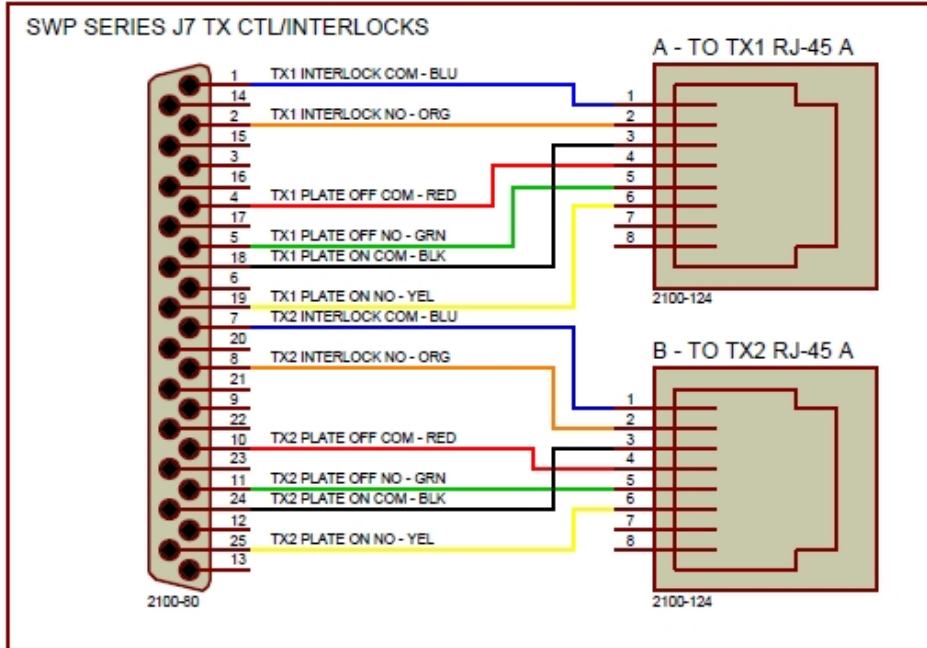
1. Connect the DSUB to RJ45 Adapter marked J7 to the SWP series controller J7 TX CTL./INT connector on the rear panel
2. Connect the DSUB to RJ45 Adapter marked J2 to J2 Status connector on the rear panel.
3. Insert one of the yellow CAT5 cable ends to the A input of the J7 connector and connect the other end to the Transmitter RJ45 interface board marked TX relays connector
4. Insert one of the green CAT5 cable ends into the A RJ45 connection of J2 Status connector adapter and connect the other end to the Transmitter RJ-45 Adapter board to the RJ45 connector marked "TX STATUS"
5. Install the TX Transmitter Interface board into the transmitter that will be designated as TX1/A.
6. Make the connections to the transmitter interface for External Interlock, TX ON/OFF and optionally the transmitter "On" status.
7. Repeat the same procedure as outlined above for the transmitter 2/B



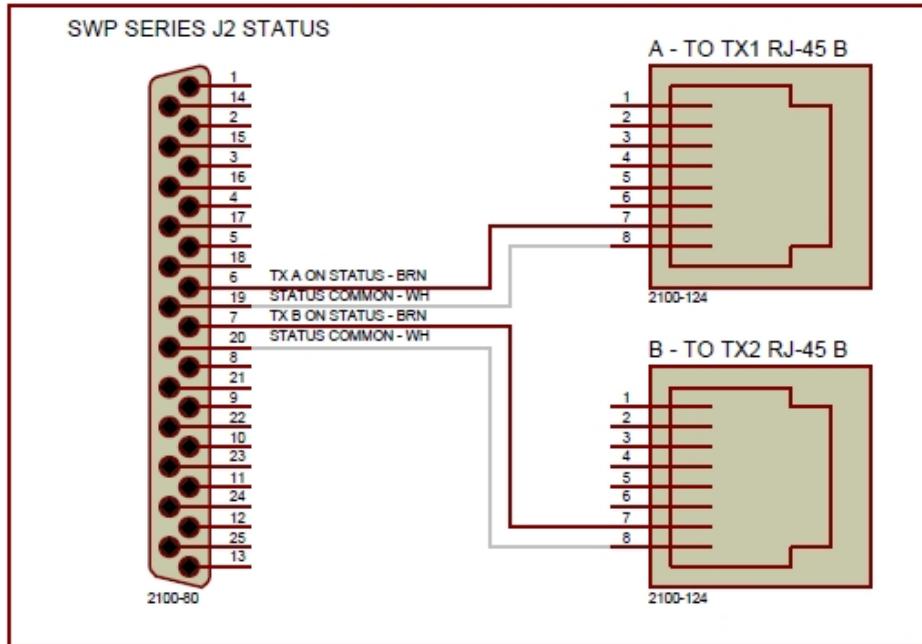
Cable Colors Supplied may be different.

Figure 1 –TX Interface Kit Schematics

**SWP SERIES TX CTL/INTERLOCK ADAPTER**

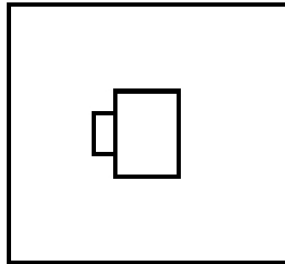


**SWP SERIES STATUS ADAPTER**

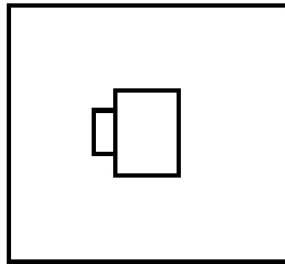




**TRANSMITTER RJ-45 INTERFACE BOARD  
ASSEMBLY 100-67**

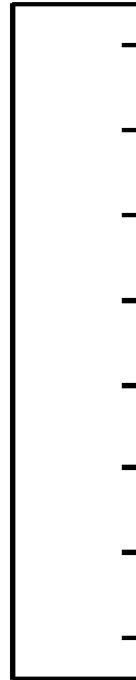


**TX RELAYS**



**TX STATUS**

**TRANSMITTER**



**INTERLOCK**



**TX ON**



**TX OFF**



**TX ON STATUS**

**PCB 1700-67 REV A**

**© 2019 BROADCAST DEVICES, INC.**

## V. Warranty

Broadcast Devices, Inc. products are warranted against failure due to faulty materials or workmanship for a period of one year from the date of shipment to the ultimate user. The warranty covers repair or replacement of defective parts at the factory, provided the unit has been returned prepaid by the user. All shipments to the factory shall have affixed to the outside of the container a return authorization number obtained from the factory. The above warranty is void if the unit has been modified by the user outside of any recommendations from the factory or if the unit has been abused or operated outside of its electrical or environmental specifications. If customer conducted field tests suggest that the unit may be faulty, whether or not the unit is in warranty, a full report of the difficulty should be sent to Broadcast Devices, Inc. factory at Cortlandt Manor, New York. The office may suggest further tests or authorize return for factory evaluation.

Units sent to the factory should be well packed and shipped to Broadcast Devices, Inc. – [www.broadcast-devices.com](http://www.broadcast-devices.com) Remember to affix the R.A. number to the outside of the carton. Any packages received without such R.A. number will be refused. Note: freight collect shipments will also be refused. When the unit has been received, inspected and tested, the customer will receive a report of the findings along with a quotation for recommended repairs, which are found falling outside of the standard warranty. Units returned for in-warranty repairs, which are found not to be defective will be subject to an evaluation and handling charge. In-warranty units will be repaired at no charge and returned via prepaid freight.

Out-of-warranty units needing repair require a purchase order and will be invoiced for parts, labor, and shipping charges.

When ordering replacement part, always specify A) Part Description, and Quantity; B) Date of Purchase, Where Purchased; C) Any Special Shipping Instructions. Always specify a street address, as shipping companies cannot deliver to a postal box.

Broadcast Devices, Inc. is not responsible for any other manufacturer's warranty on original equipment. Nor are we responsible for any failure, damage, or loss of property that may occur due to the installation or operation of our equipment outside of recommended specifications.

Broadcast Devices, Inc. reserves the right to change materials, specifications, and features from time to time.

[www.broadcast-devices.com](http://www.broadcast-devices.com)

Broadcast Devices, Inc.

Email: [Customer.Service@broadcast-devices.com](mailto:Customer.Service@broadcast-devices.com)  
(914) 737-5032 Tel. (914) 736-6916 Fax.



