



Broadcast Devices, Inc.

REM-100 Pushbutton Panel

TECHNICAL REFERENCE MANUAL

**Broadcast Devices, Inc.
2066 E. Main Street
Cortlandt Manor, NY 10567
Tel. (914) 737-5032
Fax. (914) 736-6916**

REV: A 06/09

www.broadcast-devices.com

Table of Contents

The REM-100 Pushbutton Panel

Section	Page
I. Introduction	3
A. Unpacking and Inspection	3
B. Installation Instructions	3
II. Specifications	4
III. Warranty	5
IV. Schematic Diagram	6

I. Introduction and General Description

The REM-100 Pushbutton Panel contains two groups of four lighted momentary pushbutton switches mounted in a steel single EIA rack panel with accompanying connector bracket. Each set of switch contacts is brought out to the rear connector or can be tied to a common for simple ground start applications. Each switch has an LED which can be remotely tied up to 5-12 VDC. A return to power supply common is all that is required to light an LED. Additional holes on the front panel are provided for volume control, headphone jack etc. Extra pins are available on the rear panel DB-25 connector to accommodate these types of connections.

A. Unpacking and Inspection

Carefully unpack the unit after receipt and inspect for damage that may have occurred during shipping. If damage is noted, contact the shipper immediately and file a damage claim. The contents of the package have been insured to cover total replacement cost. Make certain that the package contents are the same as noted on the packing slip. If not, contact Broadcast Devices, Inc. Check to make sure all mechanical parts are secure.

B. Installation Instructions

Each switch can be wired independently or the returns of any combination of the switches can be common ground returned. There is a jumper for each switch. Refer to the schematic diagram for jumper/switch function. Wire according to the table below.

<u>J1/2 Pin#</u>	<u>Designation</u>
1, 2, 3, 13	NC – Can be used for volume control, headphone jack, etc.
4	Common Return for switch 1
5	Common Return for switch 2
6	Common Return for Switch 3
7	Common Return for Switch 4
8, 9, 10, 11,	Power Supply – 5-12 VDC recommended
12	Ground – common Return
17	Input Switch 1
18	Input Switch 2
19	Input Switch 3
20	Input Switch 4
21	Common Return for LED1
22	Common Return for LED2
23	Common Return for LED3
24	Common Return for LED4

II. Specifications

# of Switches	8 – 2 groups of 4
Contact Type	Momentary
Contact Rating	30 VDC @2Amperes
Output Connector	DB-25 Male
Power Requirements	5-12 VDC to energize LED's

III. Warranty

Broadcast Devices, Inc. products are warranted against failure due to faulty materials or workmanship for a period of one year from the date of shipment to the ultimate user. The warranty covers repair or replacement of defective parts at the factory, provided the unit has been returned prepaid by the user. All shipments to the factory shall have affixed to the outside of the container an R. A. number obtained from the factory. The above warranty is void if the unit has been modified by the user outside of any recommendations from the factory or if the unit has been abused or operated outside of its electrical or environmental specifications. If customer conducted field tests suggest that the unit may be faulty, whether or not the unit is in warranty, a full report of the difficulty should be sent to Broadcast Devices, Inc. factory at Cortlandt Manor, New York. The office may suggest further tests or authorize return for factory evaluation.

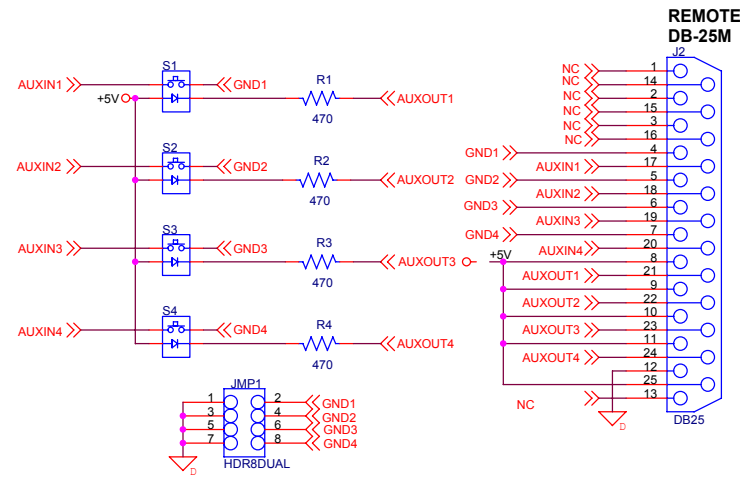
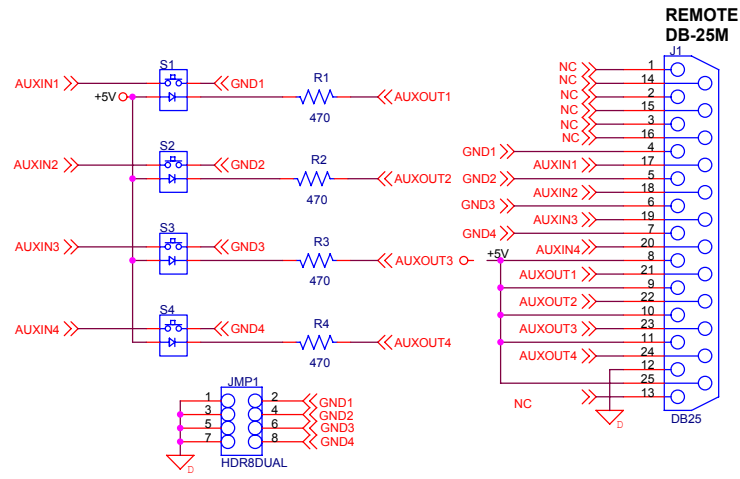
Units sent to the factory should be well packed and shipped to Broadcast Devices, Inc. 2066 E. Main Street, Cortlandt Manor, NY 10567. Remember to affix the R.A. number to the outside of the carton. Any packages received without such R.A. number will be refused. Note: freight collect shipments will also be refused. When the unit has been received, inspected and tested, the customer will receive a report of the findings along with a quotation for recommended repairs, which are found falling outside of the standard warranty. Units returned for in-warranty repairs which are found not to be defective will be subject to an evaluation and handling charge. In-warranty units will be repaired at no charge and returned via prepaid freight.

Out-of-warranty units needing repair require a purchase order and will be invoiced for parts, labor, and shipping charges.

When ordering replacement part, always specify A) Part number or Description, and Quantity; B) Date of Purchase, Where Purchased; C) Any Special Shipping Instructions. Always specify a street address, as shipping companies cannot deliver to a postal box.

Broadcast Devices, Inc. is not responsible for any other manufacturer's warranty on original equipment. Nor are we responsible for any failure, damage, or loss of property that may occur due to the installation or operation of our equipment outside of recommended specifications.

IV. Schematic Diagram



Title		
REM-100 Pushbutton Panel		
Size B	Document Number [Doc]	Rev (RevCode)
Date: Thursday, June 25, 2009	Sheet 1 of 1	