



Tech Talk Application Note #3[©]

Application: Using the ACS-300 Six Channel, Stereo and Monaural Audio Systems

Benefits: The ACS-300 adds muting and dim control to up to six channels for use in 5.1 monitor systems. It can be used in stereo applications allowing up to three stereo pairs to have independent muting. It adds 10, 20 or 30 dB of dimming across all six channels for paging and/or intercom applications. Factory default input is +4 dBm. The unit can also be configured for 0 dBm or for -10 dBm input. The ACS-300 output is +4 dBm output regardless of input setting. Therefore, the unit can provide up to 14 dB of gain if required.

Application #1

Diagram #1 shows an application for television or professional audio control or studio rooms which are equipped with 5.1 audio monitor systems. By placing the ACS-300 between the console output and the monitor amplifier the audio levels being fed to the speaker system can be controlled with switch closures. The dim function is being keyed by the control room intercom system. With this connection scheme, the director can dim the monitor audio upon pressing the intercom button so that the intercom can be heard over the program audio without completely muting it. Another switch closure allows for a global mute of all six channels if desired.

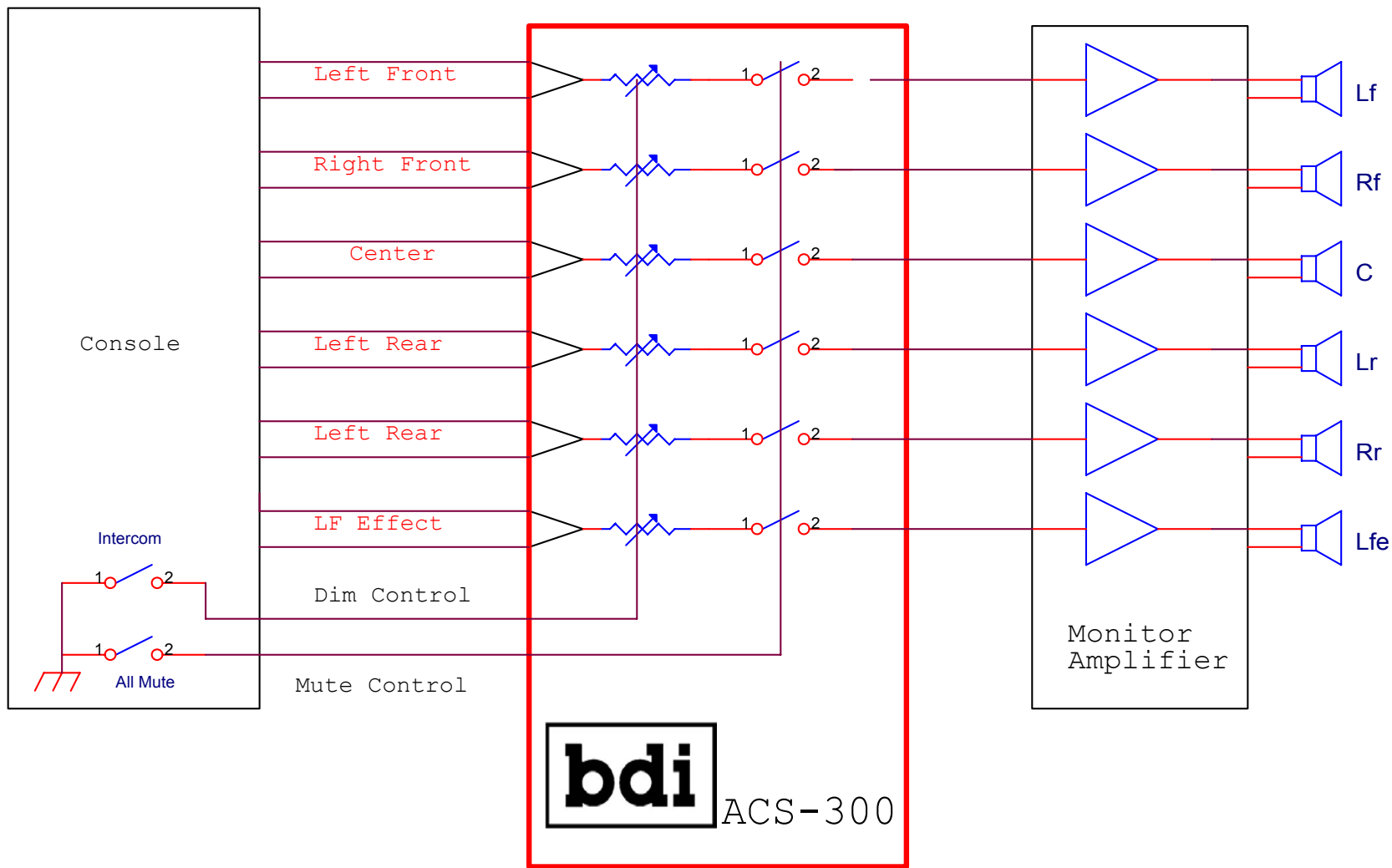
Application #2

Diagram #2 illustrates how the ACS-300 can be utilized in an audio post production environment. In this application the unit is connected between the console and monitor amplifier. Individual mute lines are connected to contact closures so that the monitor system can be selectively muted. For mixing applications pairs of channels or individual channels can be isolated for better interpretation of staging of the final mix.

Application #3

Diagram #3 shows application of the ACS-300 wired between as many as three independent stereo or six independent monaural monitor systems. This application is intended for studios utilizing consoles without monitor muting capability. Other suggested uses include control of PA audio systems requiring paging dim control.

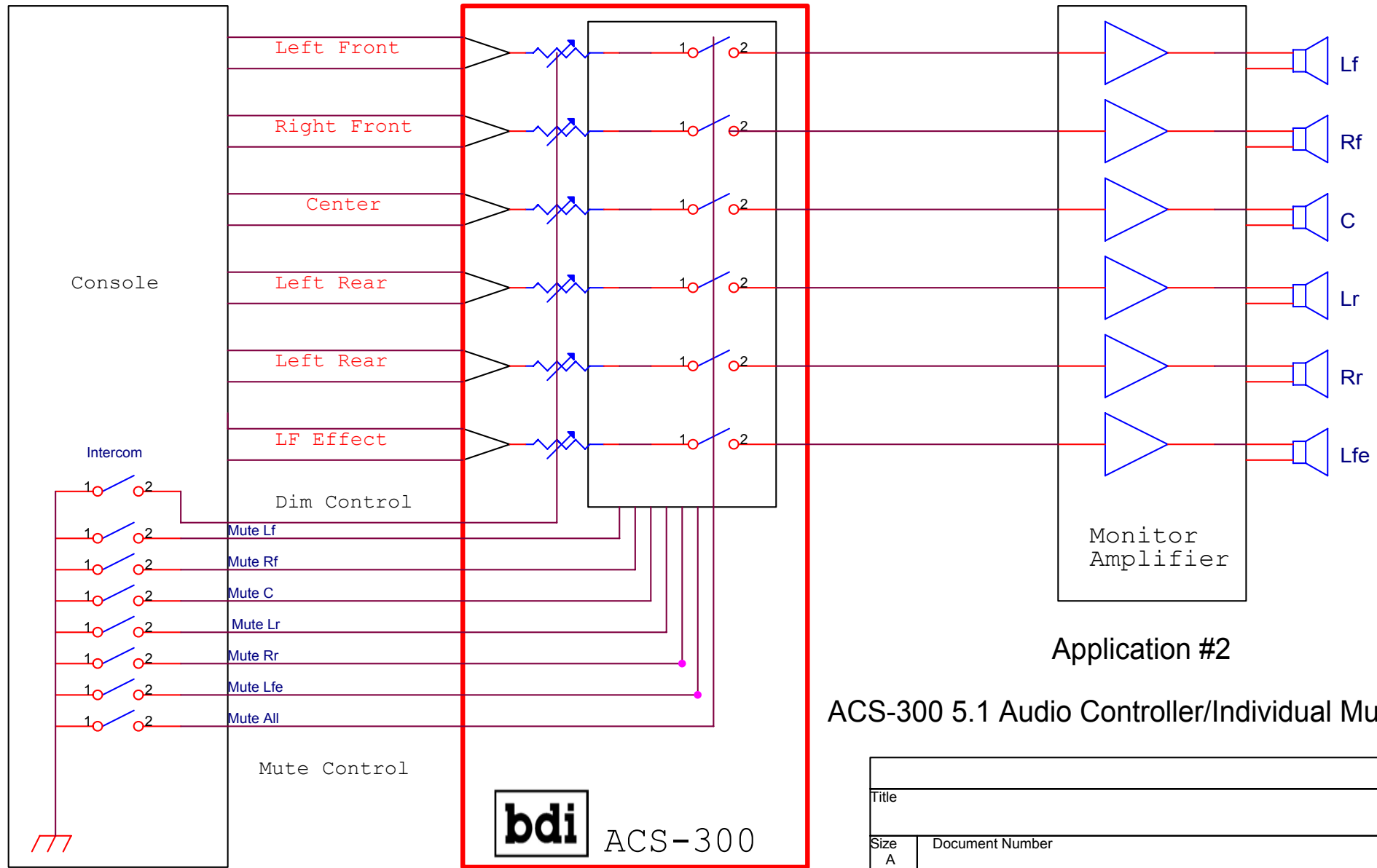
For any application feel free to call or email us for further information. Telephone – (914) 737-5032 or email us at Techsupport@Broadcast-Devices.com



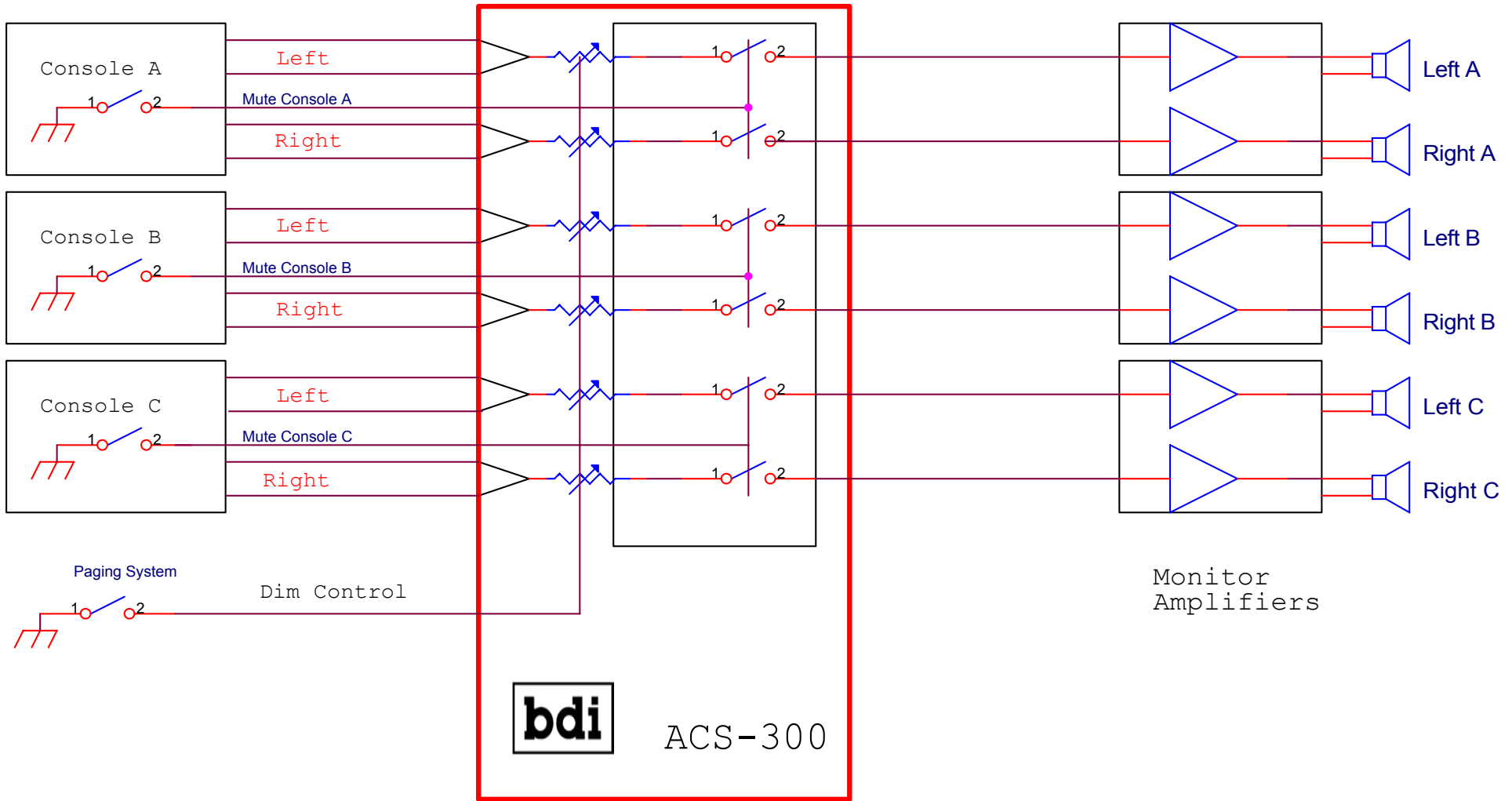
Application #1

ACS-300 5.1 Audio Controller

Title		
Size A	Document Number	Rev
Date:	Saturday, April 30, 2005	Sheet 1 of 1



Title		
Size A	Document Number	Rev
Date:	Saturday, April 30, 2005	Sheet 1 of 1



Application #3

ACS-300 Multiple Stereo Monitor Control System

Title		
Size A	Document Number	Rev
Date:	Saturday, April 30, 2005	Sheet 1 of 1