



Tech Talk Application Note #6©

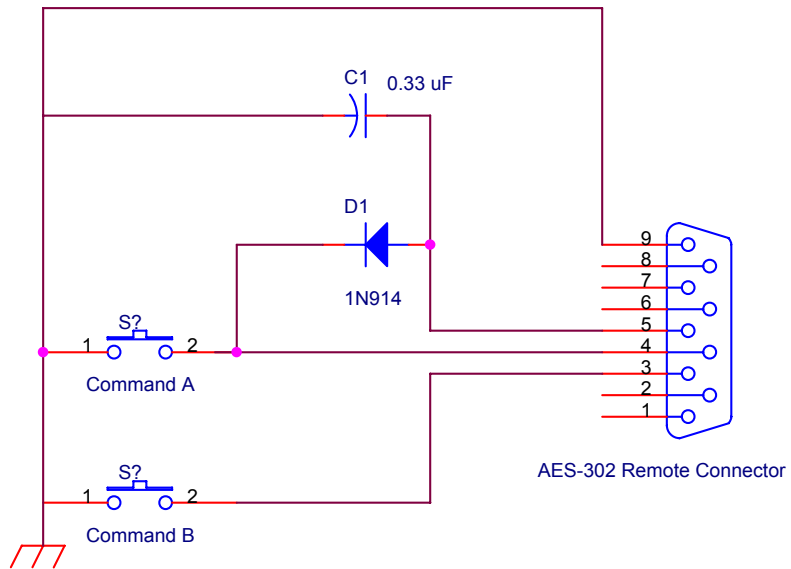
Application: Provide automatic error reset upon switch to alternate path.

Benefits: Reduction in the number of operator remote control operations necessary after a path failure is noted and restored to normal service. This modification provides more hands free operation of the AES-302. Normally, there are three remote control command connections to the AES-302. These include channel select A and B and error reset. This modification allows either of the channel select commands to provide the error reset command.

This application note describes how to add a diode and capacitor to the remote control connector of any AES-302 that we have produced.

How it Works: Refer to the accompanying drawing for the following description. The addition of a 0.33 uF capacitor between pin 5 error reset and ground and a 1N914 diode connected between the A or B input remote select pins provide an automatic reset of the error upon switching to the alternate path. When a switch is called for, the capacitor holds the error reset pin to ground just long enough to provide an error reset upon application of a proper AES3 audio stream containing audio. Without this modification the unit is intended to stay in the alternate path position until the error is manually reset by front panel button or application of a ground to remote pin 5. This modification does not disturb the normal error reset connection that can be made to a remote control system. It merely provides a reset upon switch.

For any application feel free to call or email us for further information. Telephone – (914) 737-5032 or email us at Techsupport@Broadcast-Devices.com



C1 adds a ramp up after the ground closure to insure error reset after switching has occurred. The diode is for isolation between the two command functions. These components can be mounted directly to the remote control connector inside the shell. The pushbuttons depict any type of momentary closure such as a relay or pushbutton.

AES-302 Modification to provide error reset upon switching back to A position.

Broadcast Devices, Inc.		
Title AES-302 Remote Control Mod.		
Size A	Document Number {Doc}	Rev {Rev Code}
Date:	Thursday, December 29, 2005	Sheet 1 of 1