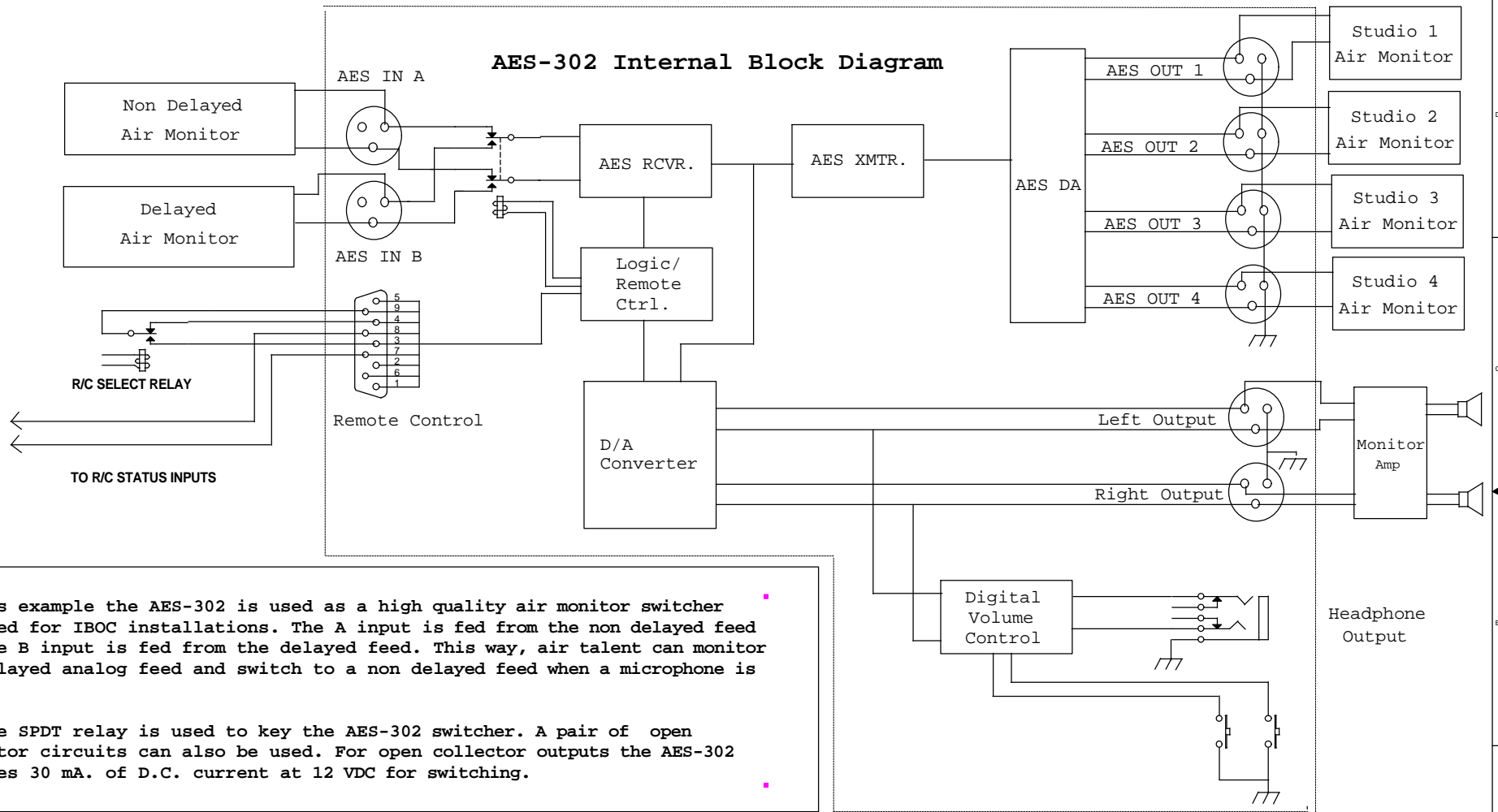


AES-302 Internal Block Diagram



■ In this example the AES-302 is used as a high quality air monitor switcher intended for IBOC installations. The A input is fed from the non delayed feed and the B input is fed from the delayed feed. This way, air talent can monitor the delayed analog feed and switch to a non delayed feed when a microphone is keyed.

A simple SPDT relay is used to key the AES-302 switcher. A pair of open collector circuits can also be used. For open collector outputs the AES-302 requires 30 mA. of D.C. current at 12 VDC for switching.

BDI Tech Talk Application Note

AES-302 Application 3

Studio Air Monitor Selector - IBOC Application

Call BDI Applications Engineering at (914) 737-5032
or email us at TechSupport@Broadcast-Devices.com