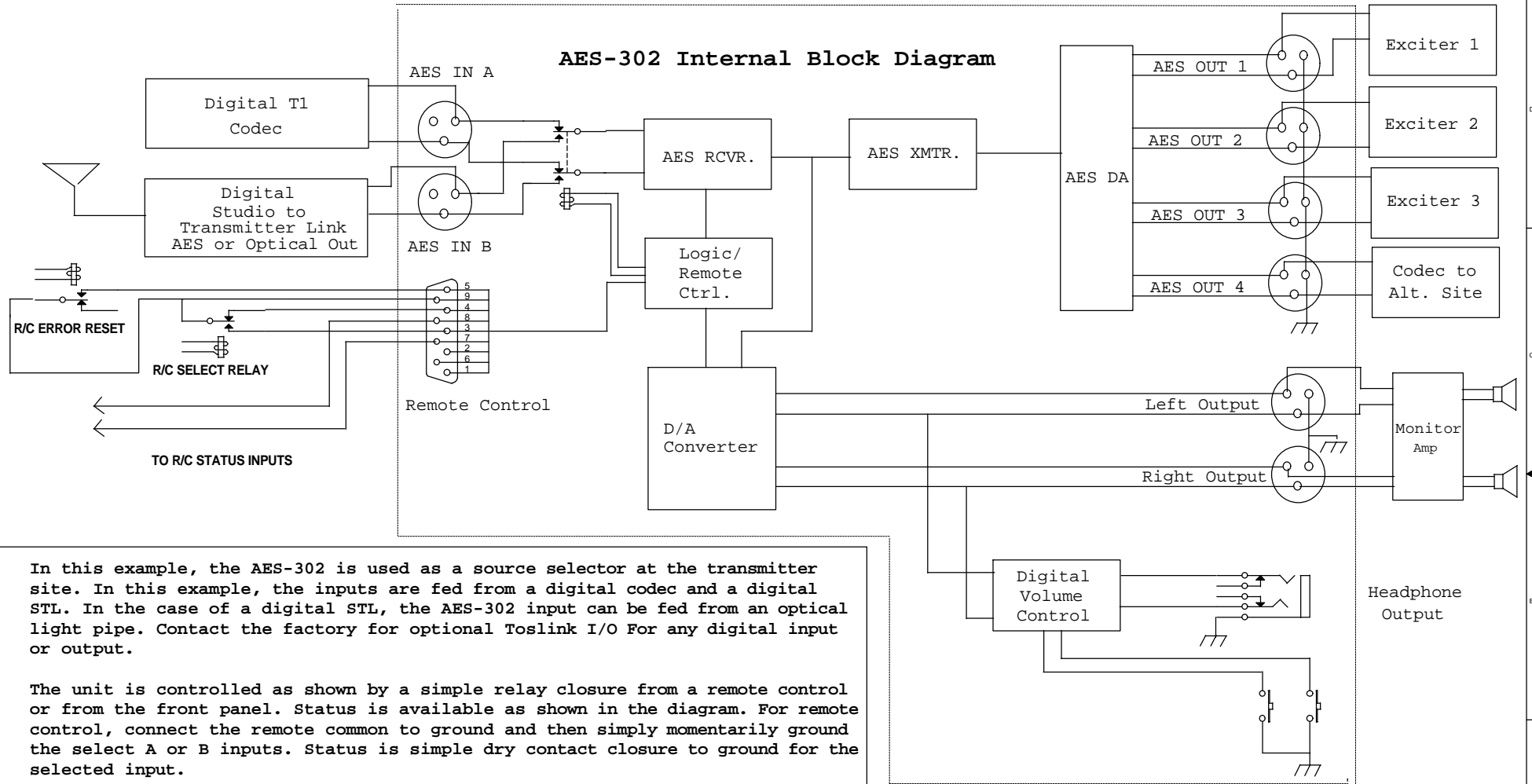


## AES-302 Internal Block Diagram



In this example, the AES-302 is used as a source selector at the transmitter site. In this example, the inputs are fed from a digital codec and a digital STL. In the case of a digital STL, the AES-302 input can be fed from an optical light pipe. Contact the factory for optional Toslink I/O For any digital input or output.

The unit is controlled as shown by a simple relay closure from a remote control or from the front panel. Status is available as shown in the diagram. For remote control, connect the remote common to ground and then simply momentarily ground the select A or B inputs. Status is simple dry contact closure to ground for the selected input.



### BDI Tech Talk Application Note

#### AES-302 Application 1 Transmitter Audio Source Selector

Call BDI Applications Engineering at (914) 737-5032  
or email us at [TechSupport@Broadcast-Devices.com](mailto:TechSupport@Broadcast-Devices.com)